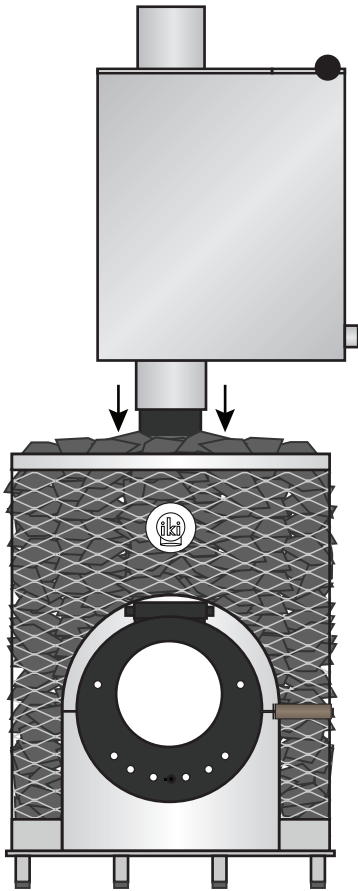


## IKI Water heater 50 litres (13.2 gallons)



1. Lift the water heater on to the top of the stove. The hinged lid with a handle should be facing upwards and the pipe that goes through the tank must be fitted tightly over the stove's flue pipe.

2. Affix the water heater on to the stove's mesh frame using the metal support bracket that is included in the delivery.

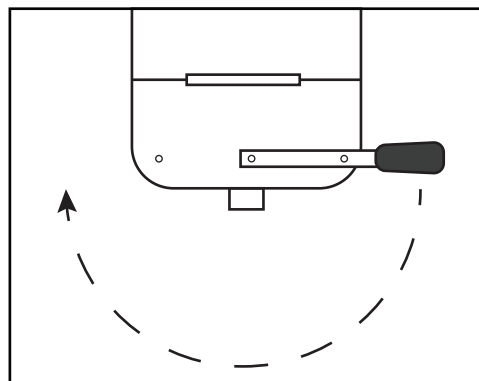
### NOTE:

Stones must be carefully loaded on to the stove. When using a flue pipe water heater, it is particularly important to place stones inside and in between the coiled stove pipe to support the added weight of the water tank. Over time, the weight of the tank may push the coiled pipe down a bit.

During heating and operation, make sure the heater is filled with water (at least two thirds full).

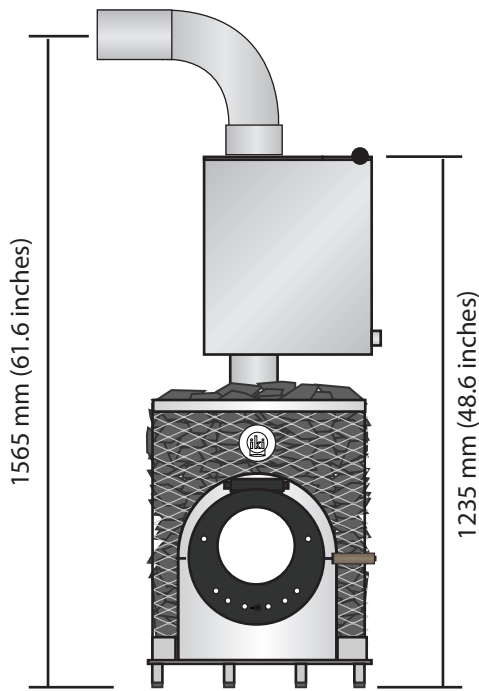
If and when the temperature in the sauna drops below zero degrees, any water left in the heater will freeze and expand, which can damage the tank and the tap. To prevent this, always empty the tank through the tap after bathing and leave the tap open.

If the lid's handle is on the wrong side, simply unfasten the handle's screws and affix it on to the other side.

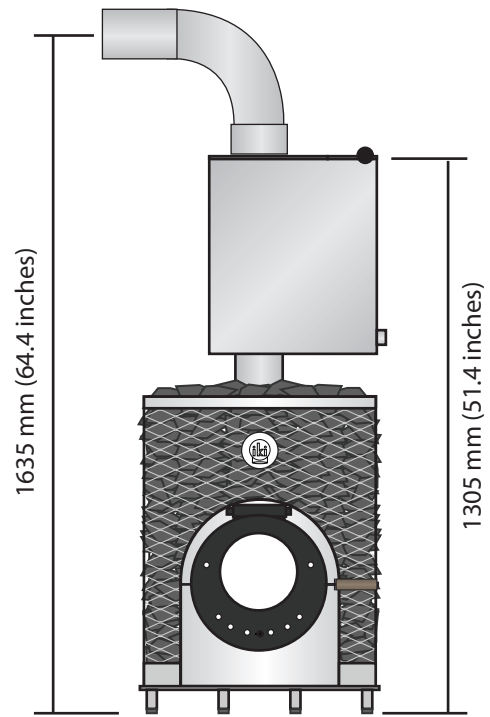


# IKI Water heater 50 litres (13.2 gallons)

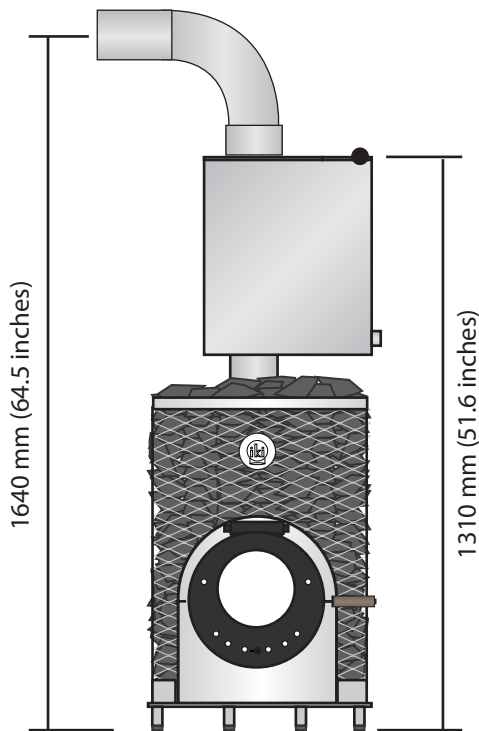
Connection heights with 90-degree pipe



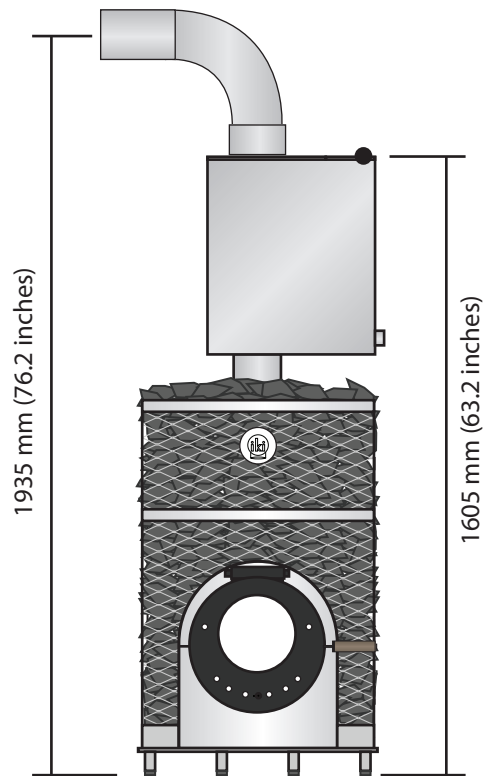
Mini-IKI



Original IKI



Löyly-IKI jr.



Löyly-IKI